

Permis de Construire

Commune de REDORTIERS

Lieu-dit « Couravoune »

COUPES DU TERRAIN ET DES CONSTRUCTIONS

POUR LE COMPTE DE
LA SOCIETE

SolaireParcMP072

MAITRE D'OUVRAGE :



CONTACT :

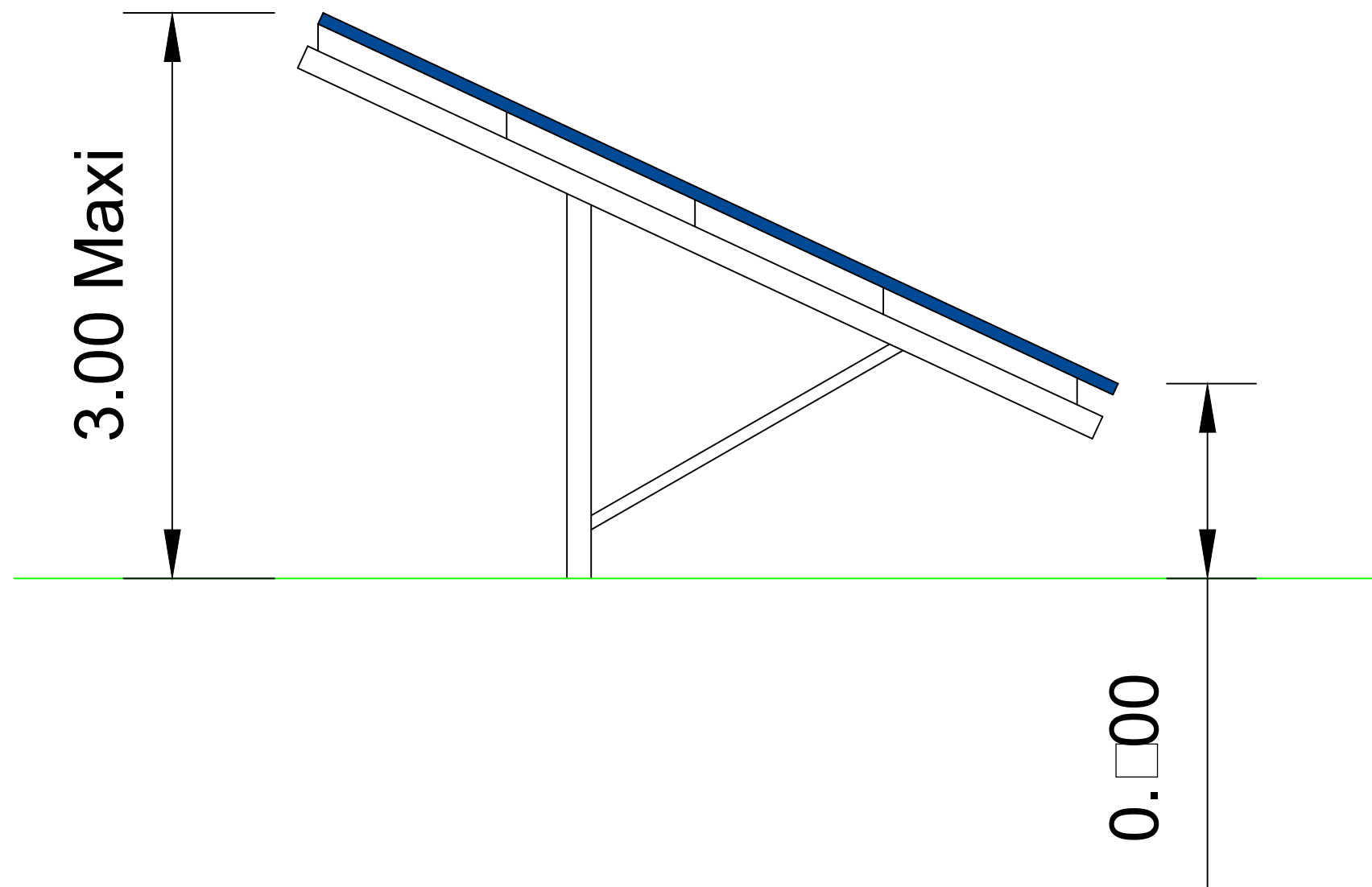
Aline CHAPULLIOT
52, Avenue Georges Vacher
13106 ROUSSET
Aline.CHAPULLIOT@engie.com
06 85 59 19 50

Pièce N°3

Projet de parc solaire au sol

Indice	Modifications	Date	Etabli	Vérifié	Validé
A	Réalisation du document	Avril 2019		A.Chapulliot	
B					
C					
D					
E					
F					

Détail Stands de panneaux 4h7

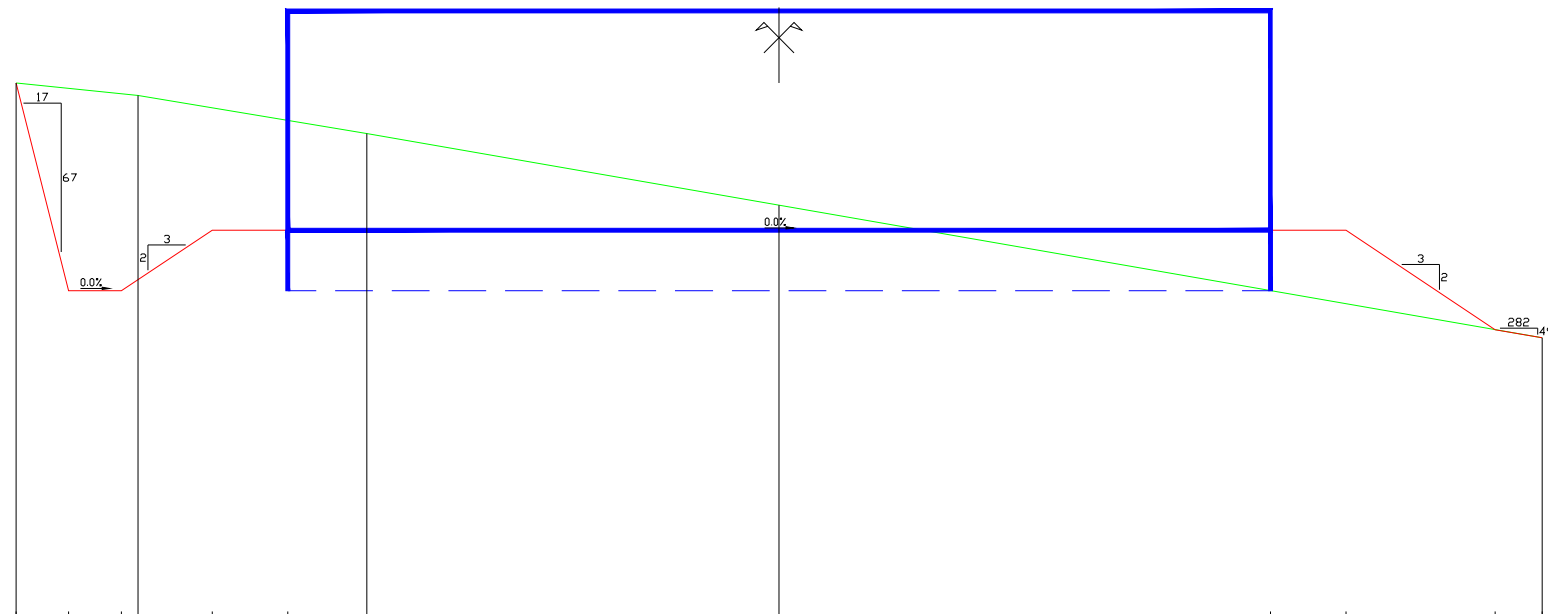




Commune de Redortiers
Lieu-dit : "Couravoune"

Poste de Transformation 1

Echelle des altitudes : 1/100
Echelle des longueurs : 1/100



PC : 953.00 m

Altitudes TN	960.09	959.92	958.42	956.47	956.72		
Distances à l'axe TN	-10.095	-8.481	-5.454	0.000	10.095		
Distances partielles TN	1.614	3.027	5.454	10.095			
Altitudes projet	960.09	957.34	957.34	958.14	958.14	956.83	956.72
Distances à l'axe projet	-10.095	-0.399	-8.700	-7.500	7.500	9.476	10.095
Distances partielles projet	0.696	0.699	1.200	15.000	1.975	0.619	
Altitudes Ligne Terrassement			958.14		958.14		
Distances à l'axe Ligne Terrassement			-6.500		6.500		
Distances partielles Ligne Terrassement				13.000			



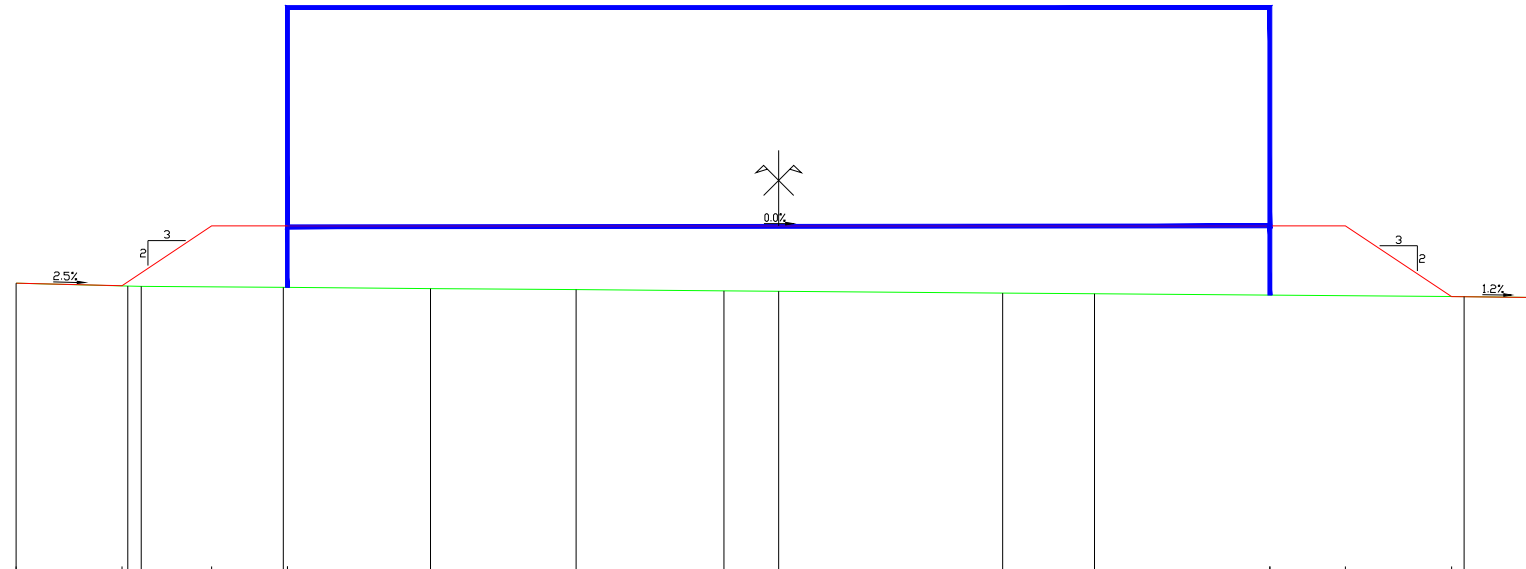
Commune de Redortiers
Lieu-dit : "Couravoune"

Poste de Transformation 2

Echelle des altitudes : 1/100

Echelle des longueurs : 1/100

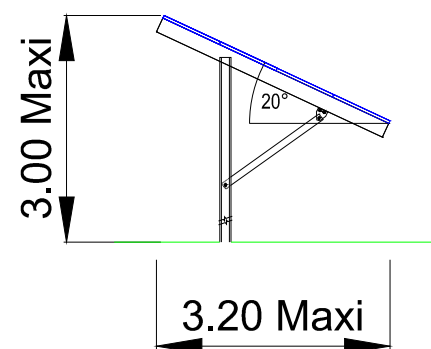
PC : 967.00 m



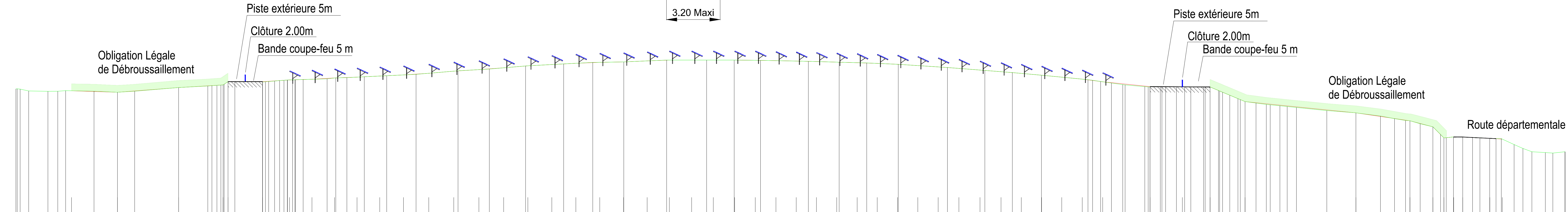
Altitudes TN	970.85	970.81 970.81	970.79	970.78	970.76	970.75	970.74	970.72	970.71	970.67	970.66		
Distances à l'axe TN	-10.089	-8.610 -8.434	-6.555	-4.604	-2.681	-0.723	0.000	2.965	4.179	9.068	10.101		
Distances partielles TN	1.480	0.176	1.879	1.951	1.923	1.958	0.723	2.965	1.213	4.889	1.033		
Altitudes projet	970.85	970.81	971.61	971.61						971.61	971.61	970.67	970.66
Distances à l'axe projet	-10.089	-8.689	-7.500	-6.500						6.500	7.500	8.503	10.101
Distances partielles projet	1.400	1.189	1.000				13.000			1.000	1.403	1.197	
Altitudes Ligne Terrassement				971.61						971.61			
Distances à l'axe Ligne Terrassement				-6.500						6.500			
Distances partielles Ligne Terrassement							13.000						

Profil en Long Nord-Sud

Détail Stands de panneaux 4h7



Echelle en X : 1/500
Echelle en Y : 1/500



PC : 920.00 m

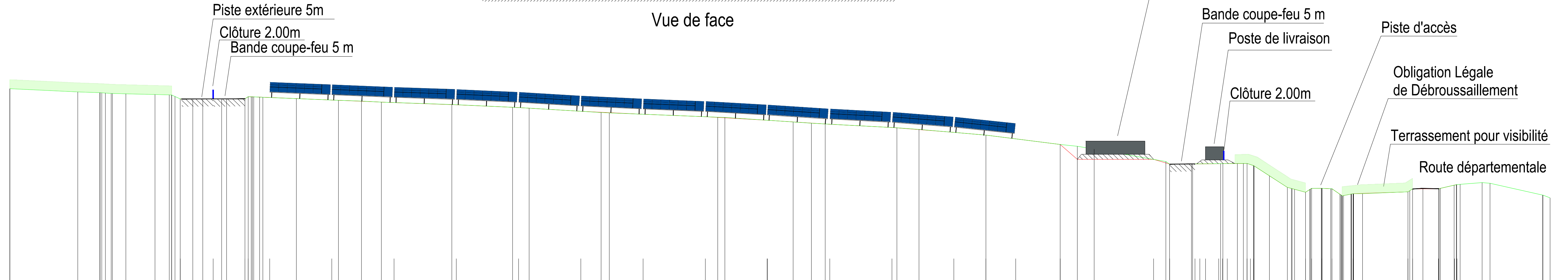
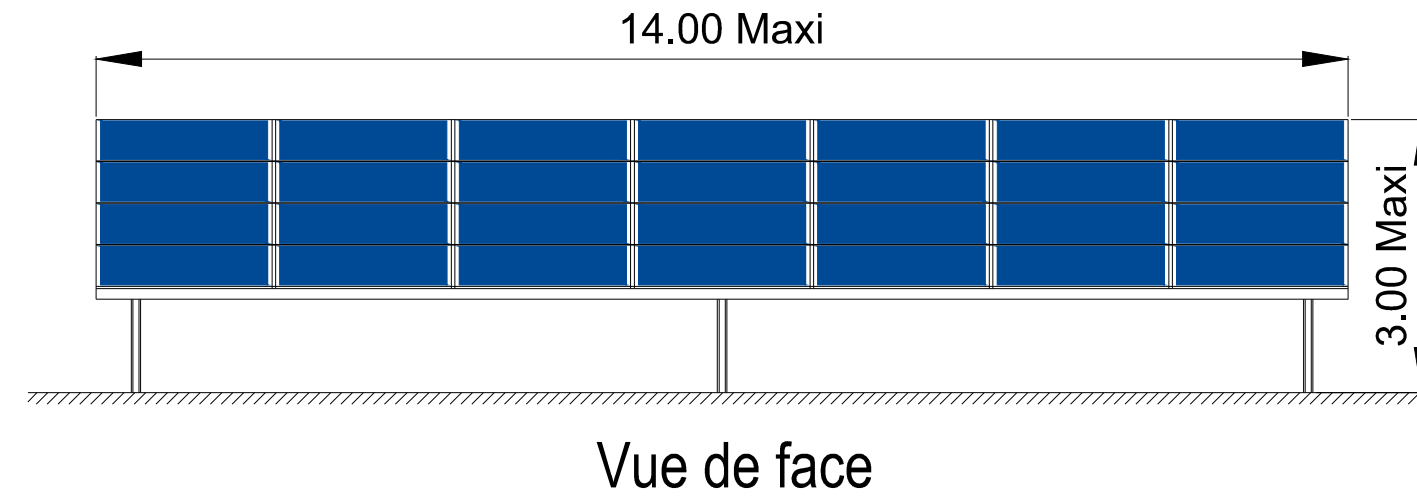
Altitudes TN	956.24	955.52	955.71	955.57	955.25	956.52	957.05	958.31	958.31	958.71	958.93	959.14	959.46	959.73	960.03	960.41	961.44	961.94	962.84	963.42	963.84	964.01	964.52	964.53	964.44	964.18	963.91	963.70	963.30	962.40	961.54	960.92	960.17	958.88	957.93	956.89	956.86	956.83	956.79	955.27	953.13	951.75	951.14	949.99	948.32	948.43	947.13	945.31	942.40	942.24	941.90	940.20	938.13	938.14										
Distances partielle TN		9.242	5.104	8.162	6.745	17.619	8.408	5.819	9.928	6.173	5.530	6.893	5.701	5.028	6.438	8.460	12.075	9.018	10.433	10.969	8.384	8.934	12.335	11.520	7.941	7.571	13.786	8.865	7.952	9.077	14.155	10.766	7.916	8.382	13.414	6.739	9.625	5.992	5.467	5.467	5.467	5.094	7.497	6.000	11.428	8.363	7.084	7.208	7.885	5.917	5.513	6.748	5.217	5.104	9.574									
Pente TN	-3.80 %	-2.11 %	1.27 %	6.92 %	-1.77 %	-4.82 %	6.28 %	8.39 %	5.11 %	7.20 %	65.87 %	-0.00 %	8.05 %	2.97 %	11.01 %	1.55 %	5.37 %	4.55 %	8.54 %	5.53 %	8.65 %	5.24 %	5.05 %	1.85 %	4.16 %	0.05 %	-1.23 %	-1.88 %	-3.03 %	-2.67 %	-4.35 %	-6.40 %	-7.99 %	-7.77 %	-9.00 %	-9.57 %	-14.20 %	-8.34 %	-0.71 %	-41.87 %	-13.20 %	-10.16 %	-10.03 %	-8.02 %	-12.61 %	-18.92 %	-18.78 %	-7.62 %	-28.17 %	-24.26 %	68.84 %	11.11 %	10.76 %	1.24 %	-4.08 %	-4.18 %	-5.53 %	-5.01 %	-5.02 %	-4.58 %	-36.75 %	-5.97 %	-8.52 %	11.11 %
Altitudes Projet			956.68	955.25	956.52	957.26	958.31	958.82	959.01	959.37	959.82	959.93	960.23	960.72	961.34	961.78	962.30	962.88	963.24	963.60	963.88	964.01	964.29	964.52	964.53	964.53	964.45	964.35	964.24	964.11	963.93	963.77	963.57	963.31	962.94	962.57	962.13	961.65	961.17	960.69	960.16	959.61	959.04	958.28	956.90	956.83	956.77	955.26	948.32	947.03	945.31	942.40	941.77											
Distances partielle Projet			13.216	17.619	12.811	11.345	7.796	6.453	6.496	6.483	6.539	6.823	7.281	7.208	7.243	7.121	6.961	6.917	6.911	6.874	6.883	6.769	6.399	6.426	6.239	6.134	5.955	5.942	5.843	5.829	5.837	5.876	5.788	5.862	5.812	5.865	5.972	6.082	6.041	5.843	5.847	5.805	5.909	5.878	13.855	9.284	7.993	10.067	31.915	15.557	6.619	5.990	13.977											
Pente Projet			PENTE L = 13.216 m P = -3.33 %	RAMPE L = 17.619 m P = 7.79 %	RAMPE L = 12.811 m P = 5.83 %	PENTE L = 9.928 m P = -0.00 %	RAMPE L = 7.796 m P = 6.30 %	RAMPE L = 6.453 m P = 2.97 %	RAMPE L = 6.496 m P = 5.63 %	RAMPE L = 6.483 m P = 3.80 %	RAMPE L = 6.539 m P = 4.81 %	RAMPE L = 6.823 m P = 4.56 %	RAMPE L = 7.281 m P = 6.55 %	RAMPE L = 7.208 m P = 6.54 %	RAMPE L = 7.243 m P = 6.04 %	RAMPE L = 7.121 m P = 7.34 %	RAMPE L = 6.961 m P = 8.33 %	RAMPE L = 6.917 m P = 5.19 %	RAMPE L = 6.911 m P = 4.11 %	RAMPE L = 6.874 m P = 1.85 %	RAMPE L = 6.883 m P = 4.15 %	RAMPE L = 6.769 m P = 4.15 %	RAMPE L = 6.399 m P = 3.66 %	RAMPE L = 6.426 m P = 0.04 %	PENTE L = 5.955 m P = -1.23 %	PENTE L = 5.942 m P = -1.72 %	PENTE L = 5.843 m P = -1.86 %	PENTE L = 5.829 m P = -2.34 %	PENTE L = 5.837 m P = -3.03 %	PENTE L = 5.876 m P = -2.71 %	PENTE L = 5.788 m P = -3.55 %	PENTE L = 5.862 m P = -4.35 %	PENTE L = 5.812 m P = -6.36 %	PENTE L = 5.865 m P = -7.28 %	PENTE L = 5.972 m P = -7.99 %	PENTE L = 6.082 m P = -7.99 %	PENTE L = 6.041 m P = -7.82 %	PENTE L = 5.843 m P = -8.31 %	PENTE L = 5.847 m P = -8.01 %	PENTE L = 5.805 m P = -9.57 %	PENTE L = 5.909 m P = -12.90 %	PENTE L = 5.878 m P = -10.16 %	PENTE L = 13.855 m P = -10.16 %	PENTE L = 9.284 m P = -0.71 %	PENTE L = 10.067 m P = -41.87 %	PENTE L = 31.915 m P = -10.15 %	PENTE L = 15.557 m P = -14.69 %	PENTE L = 6.619 m P = -26.00 %	RAMPE L = 5.990 m P = -14.69 %	PENTE L = 13.977 m P = -4.86 %	PENTE L = 7.827 m P = -4.22 %													

Profil en Long Ouest-Est

Echelle en X : 1/500

Echelle en Y : 1/500

Détail Stands de panneaux 4h7



PC : 930.00 m

Altitudes TN	972.72	972.01	971.81	971.60	971.43	970.45	970.46	970.47	970.34	970.52	970.15	969.98	969.21	968.60	967.43	966.40	965.34	964.89	964.04	962.42	960.34	959.33	956.56	956.02	956.08	956.12	953.38	950.54	950.61	949.32	949.82	950.50	951.87	948.48													
Distances partielle TN		15.122	5.327	5.362	6.467	5.623	5.020	5.291	5.476	10.023	9.356	5.123	20.089	13.516	19.682	25.937	16.764	7.131	15.926	19.800	16.513	7.558	15.929	5.690	6.492	5.045	5.804	5.044	6.503	6.568	12.680	6.868	9.627	15.108													
Pente TN		-4.70 %	-3.66 %	-6.12 %	-2.57 %	-46.08 %	0.15 %	15.37 %	-4.17 %	-3.95 %	-3.45 %	-5.46 %	-3.38 %	-4.47 %	-4.95 %	-6.18 %	-4.25 %	-3.96 %	-2.30 %	-6.72 %	-7.08 %	-5.31 %	-7.04 %	-8.62 %	-12.56 %	-10.21 %	-16.60 %	-17.38 %	0.88 %	-33.48 %	-64.55 %	-26.74 %	63.62 %	0.46 %	-3.96 %	-68.27 %	20.09 %	0.95 %	4.04 %	63.68 %	4.89 %	-2.49 %	22.94 %	7.87 %	-7.85 %	-22.49 %	-58.58 %
Altitudes Projet						970.45	970.46	970.47	970.77	970.21	969.64	969.16	968.54	967.71	967.06	966.51	965.73	964.84	964.10	963.03	962.42	961.58	960.34	967.03	956.02	956.07	956.13	950.82	950.59	948.98	949.82	951.44															
Distances partielle Projet						7.324	7.063	5.496	13.809	13.853	13.832	13.844	13.837	13.856	13.835	13.737	13.931	13.825	13.762	7.130	6.621	9.892	20.770	9.189	5.281	6.312	8.939	5.397	6.774	14.652	10.906																
Pente Projet						RAMPE L = 14.387 m P = 0.15 %		PENTE L = 4.772 m P = -3.86 %	PENTE L = 27.662 m P = -4.09 %	PENTE L = 13.832 m P = -3.46 %	PENTE L = 13.844 m P = -4.52 %	PENTE L = 13.837 m P = -5.97 %	PENTE L = 13.856 m P = -4.72 %	PENTE L = 13.835 m P = -3.96 %	PENTE L = 13.737 m P = -5.66 %	PENTE L = 13.931 m P = -6.42 %	PENTE L = 13.825 m P = -5.31 %	PENTE L = 13.762 m P = -7.79 %	PENTE L = 7.130 m P = -8.62 %	PENTE L = 16.513 m P = -12.56 %	PENTE L = 3.813 m P = -86.88 %	PENTE L = 16.956 m P = -0.01 %	RAMPE L = 3.967 m P = -29.58 %	RAMPE L = 5.622 m P = 0.81 %	RAMPE L = 6.079 m P = 0.86 %	RAMPE L = 4.417 m P = 0.95 %	PENTE L = 7.497 m P = -64.55 %	PENTE L = 4.092 m P = -26.61 %	RAMPE L = 12.211 m P = 3.33 %	RAMPE L = 5.755 m P = 0.36 %	RAMPE L = 3.960 m P = 22.65 %																